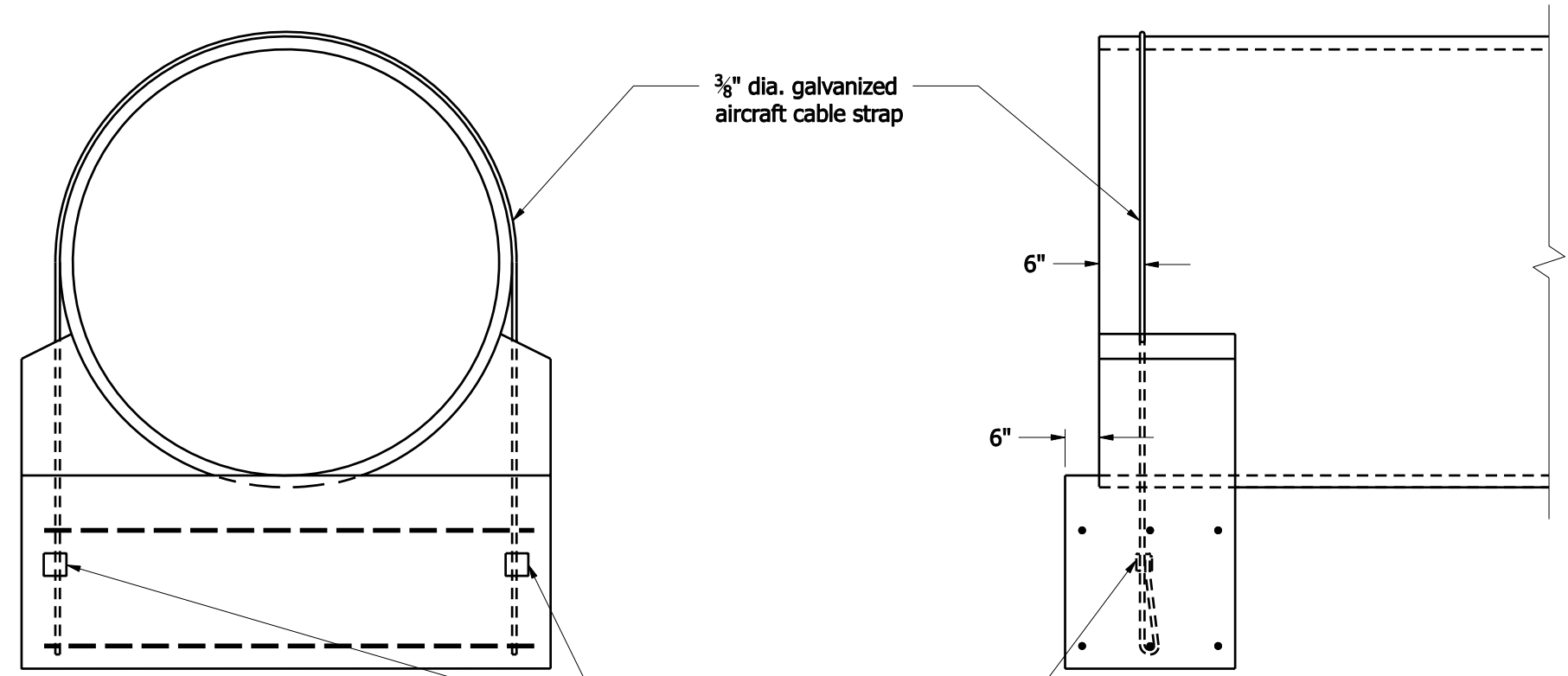


**#6 REINFORCING BAR STRAP DETAILS**



**3/8" AIRCRAFT CABLE STRAP DETAILS**

**GENERAL NOTES**

1. See Standard Drawing E 715-PAHB-01 for hook bolt details.

INDIANA DEPARTMENT OF TRANSPORTATION									
PIPE ANCHOR STRAP DETAILS									
SEPTEMBER 2008									
STANDARD DRAWING NO. E 715- PASD-01									
	<table border="0"> <tr> <td><i>/s/ Richard L. VanCleave</i></td> <td style="text-align: right;">09/02/08</td> </tr> <tr> <td>DESIGN STANDARDS ENGINEER</td> <td style="text-align: right;">DATE</td> </tr> <tr> <td><i>/s/ Mark A. Miller</i></td> <td style="text-align: right;">09/02/08</td> </tr> <tr> <td>CHIEF HIGHWAY ENGINEER</td> <td style="text-align: right;">DATE</td> </tr> </table>	<i>/s/ Richard L. VanCleave</i>	09/02/08	DESIGN STANDARDS ENGINEER	DATE	<i>/s/ Mark A. Miller</i>	09/02/08	CHIEF HIGHWAY ENGINEER	DATE
<i>/s/ Richard L. VanCleave</i>	09/02/08								
DESIGN STANDARDS ENGINEER	DATE								
<i>/s/ Mark A. Miller</i>	09/02/08								
CHIEF HIGHWAY ENGINEER	DATE								
DESIGN STANDARDS ENGINEER									